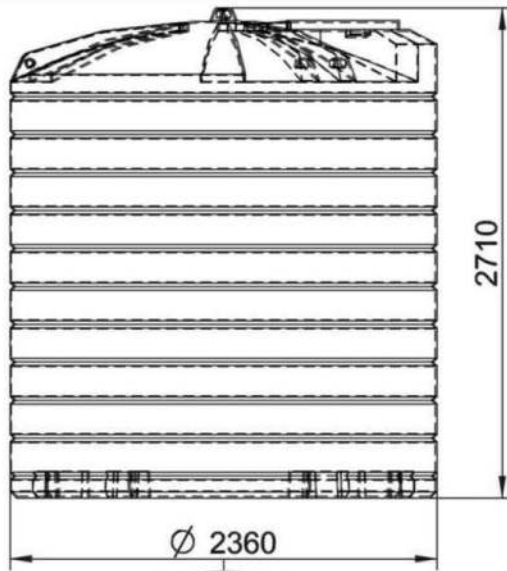
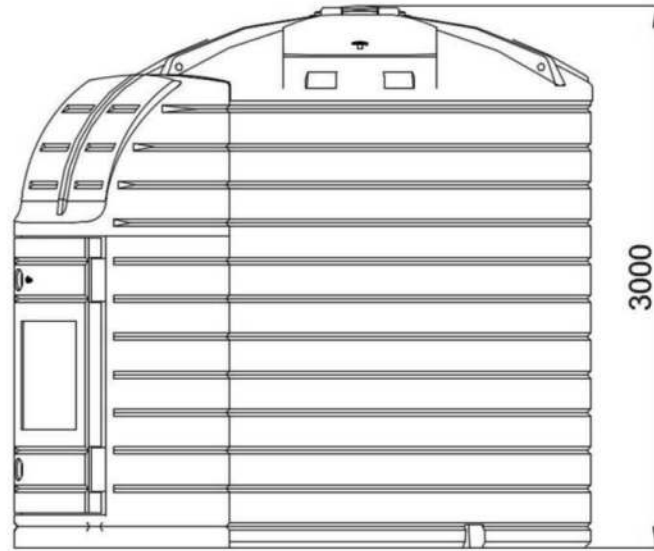


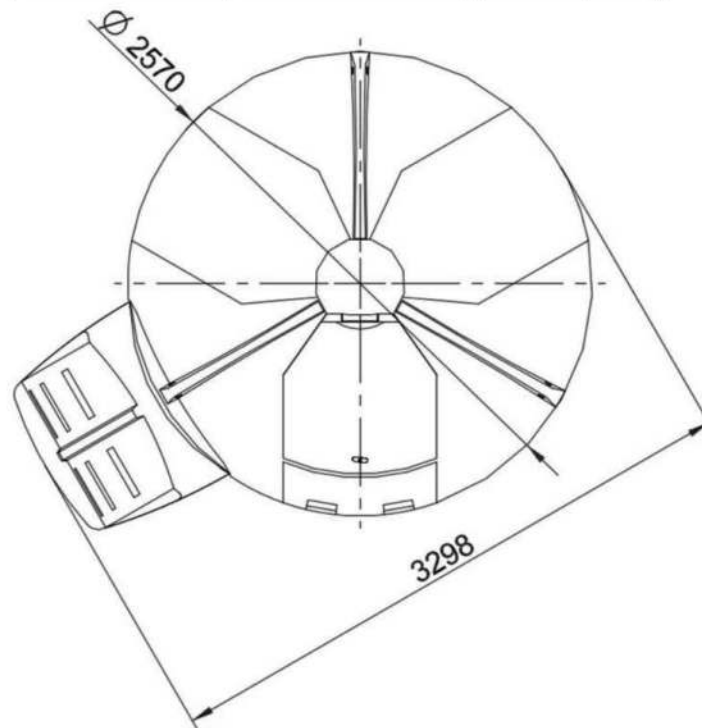
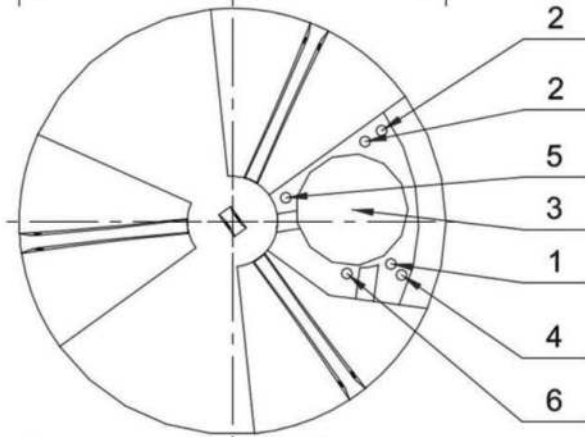
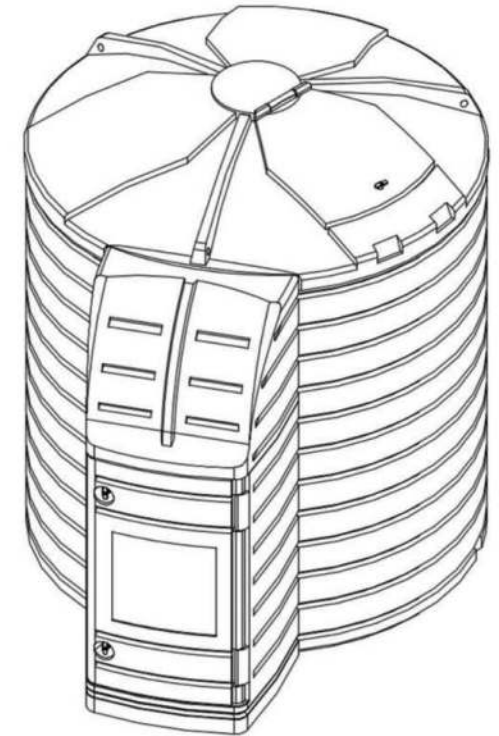
Inner tank -equipment arrangement



Dimensions of external tank



Isomeric view
-configuration of two tanks



Legend

1. Filling system
2. Ventilation system
3. Inspection hatch
4. Overfill protection
5. Leakage sensor
6. Vent for suction hose

In accordance with norm: PN-EN 13341

Capacity: 10000 L

Material: PE-LLD

Dimensions: 3000 mm x 2570 mm x 3300 mm

Use: Fuel flammable with a flash-point > 55°C

Minimum wall thickness: 5,4 mm

| | Name | Date | Designation | |
|----------|-------------|---------|---------------------------|--------|
| Drawn | K. Dziadosz | 06-2015 | TANK 10000 | |
| Checked | K. Dziadosz | 06-2015 | No drawing | |
| Approved | L. Otyemba | 06-2015 | ST-10000-00.00.00-00 | |
| | | | Fabric | Rev. |
| | | | PE - LLD - Dowlex NG 2432 | |
| | | | Scale | Weight |
| | | | 1:20 | Sheet |
| | | | | 1/1 |

Atlantis
ST-10000